

## PRODUCT LINE

Fishing & Intervention | Junk Catchers

## PRODUCT

Core Type Junk Baskets



### OVERVIEW

The Logan Core Type Junk Basket is an easy-to-use junk retrieval tool designed to effectively remove small objects such as bit cones, slips, hand tools, and tail chains from the hole.

### CONSTRUCTION

The Logan Core Type Junk Basket consists of a top sub, barrel, type A mill shoe, and an upper and lower catcher. The short fingers of the upper catcher are designed to break the core that has been cut by the mill shoe. The combination of short and long fingers of the lower catcher are designed to trap and retrieve the core and junk. Both catchers are free revolving within the mill shoe, eliminating any breakage of the catcher fingers.

For component breakdown of the junk catcher assemblies, refer to the Junk Catcher Assemblies tables.

### Optional Accessories

Mill shoes for all Core Type Junk Baskets are available in three types: A, B, and C.

#### Type A Mill Shoe

Conventional hard metal with side wings.

#### Type B Mill Shoe

Dressed with sintered tungsten carbide.

#### Type C Mill Shoe

Flat bottomed and dressed with sintered tungsten carbide.

### Magnet Inserts

Core Type Junk Baskets can easily be converted to an effective fishing magnet by replacing the upper and lower junk catcher assemblies with a magnet insert.

### Finger Shoe

A Finger Shoe may be installed on the bottom of the barrel instead of a mill shoe when junk is lying loose on the bottom of the well or it is too large to pass through the catchers. After the junk basket has engaged the fish, the continued combination of rotating and lowering cause the long fingers of the finger shoe to close beneath the fish and retain it in the barrel.

### OPERATION

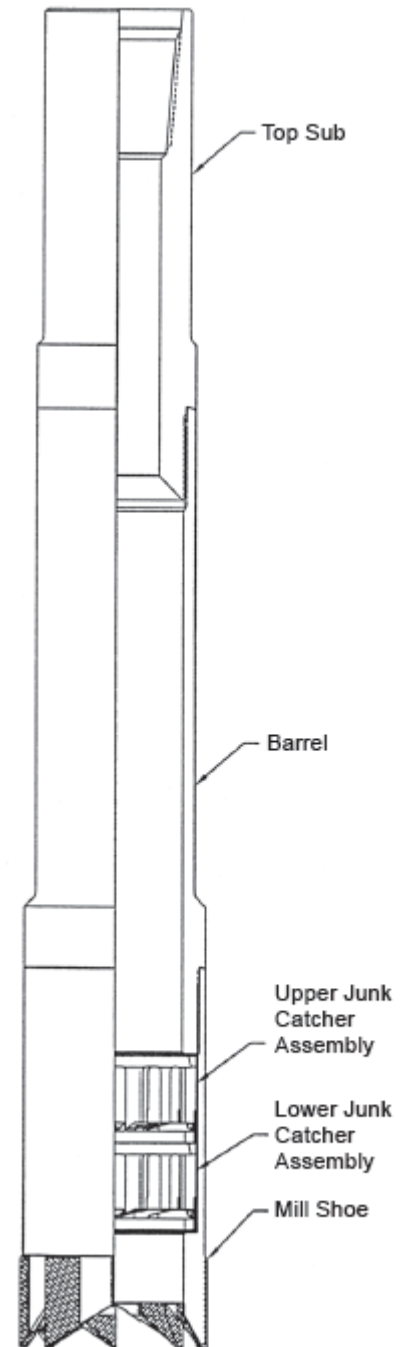
The Logan Core Type Junk Basket is made up to the bottom of the fishing string and lowered to a point within several feet from the bottom of the hole. The coring action created by combination of fluid circulation and slow rotation of the tool while lowering will cut a 24-inch core. Upward strain on the string will allow the fingers of the upper catcher to break the core. The fingers of the lower catcher will trap the core and other junk for removal from the hole.

### When ordering, please specify:

- Complete assembly or part number
- Top Sub connection
- OD and type of shoe

### Recommended Spare Parts:

- 2 x Upper Catchers
- 2 x Lower Catchers
- 2 x Mill Shoes
- 2 x Finger Shoes
- 4 x Finger Shoe Replacements



**PRODUCT LINE**

Fishing & Intervention | Junk Catchers

**PRODUCT**

Core Type Junk Baskets



Hole Size		3-3/4 to 4-1/8	4-1/4 to 4-1/2	4-5/8 to 5	4-5/8 to 5	5-1/8 to 5-1/2	5-5/8 to 6	5-5/8 to 6
Barrel OD		3-5/8	3-3/4	3-7/8	3-7/8	4-1/4	5-1/8	4-3/4
Shoe OD		3-5/8	4-1/16	4-1/2	4-1/2	4-7/8	5-1/8	5-3/8
Maximum Diameter of Fish		2-23/32	2-31/32	3-9/32	3-3/8	3-23/32	3-25/32	4-1/16
<b>Complete Assembly</b>	<b>Logan Part No.</b>	<b>301-363</b>	<b>301-375</b>	<b>301-388</b>	<b>301-387</b>	<b>301-425</b>	<b>301-512</b>	<b>301-475</b>
	Bowen No.	14590	14586	14595	19375	14600	59993	14605
Top Sub	<b>Logan Part No.</b>	<b>E1000</b>	<b>E1001</b>	<b>E1002</b>	<b>E1002</b>	<b>E1003</b>	<b>D1004</b>	<b>E1004</b>
	Bowen No.	14725	14726	14727	14727	14728	2619	14729
Barrel	<b>Logan Part No.</b>	<b>E2000</b>	<b>E2001</b>	<b>E20015</b>	<b>E2002</b>	<b>E2003</b>	<b>E20035</b>	<b>E2004</b>
	Bowen No.	14591	14587	14596	19376	14601	14746	14606
Upper Catcher Assembly <sup>1</sup>	<b>Logan Part No.</b>	-	-	-	-	-	<b>600-083</b>	<b>500-014</b>
	Bowen No.	-	-	-	-	-	14747-W	14607-W
Lower Catcher Assembly <sup>1</sup>	<b>Logan Part No.</b>	<b>500-023</b>	<b>500-024</b>	<b>500-050</b>	<b>500-025</b>	<b>500-026</b>	<b>500-026</b>	<b>500-027</b>
	Bowen No.	14593-W	14589-W	14598-W	19377-W	14603-W	14603-W	14608-W
Type A Mill Shoe (Hard Faced Mill Teeth)	<b>Logan Part No.</b>	<b>E5000-A</b>	<b>E5001-A</b>	<b>E50015</b>	<b>E5002-A</b>	<b>E5003-A</b>	<b>E50035-A</b>	<b>E5004-A</b>
	Bowen No.	14594-A	14574-A	14599-A	19378-A	14604-A	2625-A	14609-A

**OPTIONAL COMPONENTS**

Type B Mill Shoe (Tungsten Carbide Mill Teeth)	<b>Logan Part No.</b>	<b>E50045-B</b>	<b>E50047-B</b>	<b>E5005-B</b>	<b>E5006-B</b>	<b>E5007-B</b>	<b>E5008-B</b>	<b>E5009-B</b>
	Bowen No.	2676-B	14614-B	19384-B	14619-B	14624-B	14629-B	14634-B
Type C Mill Shoe (Tungsten Carbide Faced)	<b>Logan Part No.</b>	<b>E50045-C</b>	<b>E50047-C</b>	<b>E5005-C</b>	<b>E5006-C</b>	<b>E5007-C</b>	<b>E5008-C</b>	<b>E5009-C</b>
	Bowen No.	2676-C	14614-C	19384-C	14619-C	14624-C	14629-C	14634-C
Finger Shoe	<b>Logan Part No.</b>	<b>E30045</b>	-	<b>E3005</b>	<b>E3006</b>	<b>E3007</b>	<b>E3008</b>	<b>E3009</b>
	Bowen No.	22218	-	19406	22210	22211	22212	22213
	Max Dia. of Fish	4-13/32	-	5-3/8	5-29/32	6-1/2	7-1/4	8-1/8
Magnet Inserts	<b>Logan Part No.</b>	<b>500-055</b>	<b>500-053</b>	<b>500-041</b>	<b>500-042</b>	<b>500-043</b>	<b>500-044</b>	<b>500-045</b>
	Bowen No.	61866	62637	61868	61874	61949	61955	61959
Adapter	<b>Logan Part No.</b>	<b>E4018</b>	<b>E4031</b>	<b>E4005</b>	<b>E4006</b>	<b>E4007</b>	<b>E4008</b>	<b>E4009</b>
	Bowen No.	M-61867	62638	M-61869	M-61875	M-61950	M-61956	M-61960
Magnetic Assembly	<b>Logan Part No.</b>	<b>600-071</b>	<b>600-071</b>	<b>600-071</b>	<b>600-072</b>	<b>600-072</b>	<b>600-079</b>	<b>600-075</b>
	Bowen No.	61816	61816	61816	61818	61822	61824	61826

Innovex reserves the right to change or discontinue designs without prior notice.

For component breakdown of the junk catcher assemblies, refer to Junk Catcher Assemblies chart.

For type A, B, or C shoes: unless specified, shoes will be furnished with the same O.D. as minimum hole size shown.

**When ordering, please specify:**

- Complete assembly or part number
- Top Sub connection
- O.D. and type of shoe

**Recommended Spare Parts:**

- 2 x Upper Catchers
- 2 x Lower Catchers
- 2 x Mill Shoes
- 2 x Finger Shoes
- 4 x Finger Shoe Replacements



**PRODUCT LINE**

Fishing & Intervention | Junk Catchers

**PRODUCT**

Core Type Junk Baskets



Hole Size		6-1/8 to 6-1/2	6-1/8 to 6-1/2	6-1/8 to 6-1/2	6-5/8 to 7	7-1/4 to 8	8-1/4 to 9	9-1/4 to 10-1/8
Barrel OD		5-3/4	5-1/8	5-1/4	5-3/4	6-1/2	7-1/2	8-1/2
Shoe OD		5-3/4	5-7/8	5-7/8	6-1/4	7-1/8	8-1/8	9-1/8
Maximum Diameter of Fish		4-13/32	4-5/16	4-1/2	4-13/16	5-7/16	6-3/16	7-3/16
<b>Complete Assembly</b>	<b>Logan Part No.</b>	<b>301-576</b>	<b>301-513</b>	<b>301-525</b>	<b>301-575</b>	<b>301-650</b>	<b>301-750</b>	<b>301-850</b>
	Bowen No.	59996	14610	19379	14615	14620	14625	14630
Top Sub	<b>Logan Part No.</b>	<b>E10045</b>	<b>E10047</b>	<b>E1005</b>	<b>E1006</b>	<b>E1007</b>	<b>E1008</b>	<b>E1009</b>
	Bowen No.	59997	14730	19380	14731	14732	14733	14734
Barrel	<b>Logan Part No.</b>	<b>E20045</b>	<b>E20047</b>	<b>E2005</b>	<b>E2006</b>	<b>E2007</b>	<b>E2008</b>	<b>E2009</b>
	Bowen No.	15134	14611	19381	14616	14621	14626	14631
Upper Catcher Assembly <sup>1</sup>	<b>Logan Part No.</b>	<b>E20045</b>	<b>E20047</b>	<b>E2005</b>	<b>E2006</b>	<b>E2007</b>	<b>E2008</b>	<b>E2009</b>
	Bowen No.	15134	14611	19381	14616	14621	14626	14631
Lower Catcher Assembly <sup>1</sup>	<b>Logan Part No.</b>	<b>500-051</b>	<b>500-065</b>	<b>500-015</b>	<b>500-016</b>	<b>500-017</b>	<b>500-018</b>	<b>14000-013</b>
	Bowen No.	15130-W	14612-W	19383-W	14618-W	14623-W	14628-W	14633-W
Type A Mill Shoe	<b>Logan Part No.</b>	<b>E50045-A</b>	<b>E50047-A</b>	<b>E5005-A</b>	<b>E5006-A</b>	<b>E5007-A</b>	<b>E5008-A</b>	<b>E5009-A</b>
(Hard Faced Mill Teeth)	Bowen No.	2676-A	14614-A	19384-A	14619-A	14624-A	14629-A	14634-A

**OPTIONAL COMPONENTS**

Type B Mill Shoe (Tungsten Carbide Mill Teeth)	<b>Logan Part No.</b>	<b>E50045-B</b>	<b>E50047-B</b>	<b>E5005-B</b>	<b>E5006-B</b>	<b>E5007-B</b>	<b>E5008-B</b>	<b>E5009-B</b>
	Bowen No.	2676-B	14614-B	19384-B	14619-B	14624-B	14629-B	14634-B
Type C Mill Shoe (Tungsten Carbide Faced)	<b>Logan Part No.</b>	<b>E50045-C</b>	<b>E50047-C</b>	<b>E5005-C</b>	<b>E5006-C</b>	<b>E5007-C</b>	<b>E5008-C</b>	<b>E5009-C</b>
	Bowen No.	2676-C	14614-C	19384-C	14619-C	14624-C	14629-C	14634-C
Finger Shoe	<b>Logan Part No.</b>	<b>E30045</b>	-	<b>E3005</b>	<b>E3006</b>	<b>E3007</b>	<b>E3008</b>	<b>E3009</b>
	Bowen No.	22218	-	19406	22210	22211	22212	22213
	Max Dia. of Fish	4-13/32	-	5-3/8	5-29/32	6-1/2	7-1/4	8-1/8
Magnet Inserts	<b>Logan Part No.</b>	<b>500-055</b>	<b>500-053</b>	<b>500-041</b>	<b>500-042</b>	<b>500-043</b>	<b>500-044</b>	<b>500-045</b>
	Bowen No.	61866	62637	61868	61874	61949	61955	61959
Adapter	<b>Logan Part No.</b>	<b>E4018</b>	<b>E4031</b>	<b>E4005</b>	<b>E4006</b>	<b>E4007</b>	<b>E4008</b>	<b>E4009</b>
	Bowen No.	M-61867	62638	M-61869	M-61875	M-61950	M-61956	M-61960
Magnetic Assembly	<b>Logan Part No.</b>	<b>600-071</b>	<b>600-071</b>	<b>600-071</b>	<b>600-072</b>	<b>600-072</b>	<b>600-079</b>	<b>600-075</b>
	Bowen No.	61816	61816	61816	61818	61822	61824	61826

Innovex reserves the right to change or discontinue designs without prior notice.

For component breakdown of the junk catcher assemblies, refer to Junk Catcher Assemblies chart.

For type A, B, or C shoes: unless specified, shoes will be furnished with the same O.D. as minimum hole size shown.

**When ordering, please specify:**

- Complete assembly or part number
- Top Sub connection
- O.D. and type of shoe

**Recommended Spare Parts:**

- 2 x Upper Catchers
- 2 x Lower Catchers
- 2 x Mill Shoes
- 2 x Finger Shoes
- 4 x Finger Shoe Replacements



**PRODUCT LINE**
**PRODUCT**

Fishing &amp; Intervention | Junk Catchers

Core Type Junk Baskets

Hole Size		10-1/4 to 11-5/8	11-3/4 to 12-1/2	12-5/8 to 15	15 to 20			
Barrel OD		9-3/8	10-3/8	11-3/8	13-3/4			
Shoe OD		10-1/8	11-1/4	12-1/4	14-1/2			
Maximum Diameter of Fish		8-1/16	9-1/16	10-1/16	12-1/16			
<b>Complete Assembly</b>	<b>Logan Part No.</b>	<b>301-938</b>	<b>301-1038</b>	<b>301-1138</b>	<b>301-1375</b>			
	Bowen No.	14635	14640	14645	14650			
Top Sub	<b>Logan Part No.</b>	<b>E1010</b>	<b>E1011</b>	<b>E1012</b>	<b>E1013</b>			
	Bowen No.	14735	14736	14737	14738			
Barrel	<b>Logan Part No.</b>	<b>E2010</b>	<b>E2011</b>	<b>E2012</b>	<b>E2013</b>			
	Bowen No.	14636	14641	14646	14651			
Upper Catcher Assembly <sup>1</sup>	<b>Logan Part No.</b>	<b>500-054</b>	<b>500-020</b>	<b>500-021</b>	<b>500-022</b>			
	Bowen No.	14637-W	14642-W	14674-W	14652-W			
Lower Catcher Assembly <sup>1</sup>	<b>Logan Part No.</b>	<b>500-032</b>	<b>500-033</b>	<b>500-034</b>	<b>500-035</b>			
	Bowen No.	14638-W	14643-W	14648-W	14653-W			
Type A Mill Shoe (Hard Faced Mill Teeth)	<b>Logan Part No.</b>	<b>E5010-A</b>	<b>E5011-A</b>	<b>E5012-A</b>	<b>E5013-A</b>			
	Bowen No.	14639-A	14644-A	14649-A	14654-A			
<b>OPTIONAL COMPONENTS</b>								
Type B Mill Shoe (Tungsten Carbide Mill Teeth)	<b>Logan Part No.</b>	<b>E5010-B</b>	<b>E5011-B</b>	<b>E5012-B</b>	<b>E5013-B</b>			
	Bowen No.	14639-B	14644-B	14649-B	14654-B			
Type C Mill Shoe (Tungsten Carbide Faced)	<b>Logan Part No.</b>	<b>E5010-C</b>	<b>E5011-C</b>	<b>E5012-C</b>	<b>E5013-C</b>			
	Bowen No.	14639-C	14644-C	14649-C	14654-C			
Finger Shoe	<b>Logan Part No.</b>	<b>E3010</b>	<b>E3011</b>	<b>E3012</b>	<b>E3013</b>			
	Bowen No.	22214	22215	22216	22217			
	Max Dia. of Fish	9-15/16	11	11-7/8	15-1/4			
Magnet Inserts	<b>Logan Part No.</b>	<b>500-046</b>	<b>500-047</b>	<b>500-048</b>	<b>500-049</b>			
	Bowen No.	61969	61977	61979	61987			
Adapter	<b>Logan Part No.</b>	<b>E4010</b>	<b>E4011</b>	<b>E4012</b>	<b>E4013</b>			
	Bowen No.	M-61970	M-61978	M-61980	M-61988			
Magnetic Assembly	<b>Logan Part No.</b>	<b>600-076</b>	<b>600-077</b>	<b>600-077</b>	<b>600-078</b>			
	Bowen No.	61828	61830	61830	61834			

Innovex reserves the right to change or discontinue designs without prior notice.

For component breakdown of the junk catcher assemblies, refer to Junk Catcher Assemblies chart.

For type A, B, or C shoes: unless specified, shoes will be furnished with the same O.D. as minimum hole size shown.

**When ordering, please specify:**

Complete assembly or part number  
 Top Sub connection  
 O.D. and type of shoe

**Recommended Spare Parts:**

2 x Upper Catchers  
 2 x Lower Catchers  
 2 x Mill Shoes  
 2 x Finger Shoes  
 4 x Finger Shoe Replacements