



**7.000" x 8.250" Spiral**

Dimensional Data	Value	Unit	Value	Unit
Casing Size	7.000	inches	177.8	mm
Outer Diameter (nominal)	8.250	inches	209.6	mm
Inner Diameter (nominal)	7.100	inches	180.3	mm
Length	10.00	inches	254	mm
Weight	5.37	lbs	2.44	kg
Blades	5			
Stop Collar	SCB070			

Technical Data	Value	Unit	Value	Unit
Flow Bypass Area (calculated to OD)	5.6	sq inches	3,610	sq mm
Service Temperature	-40 to 245	°C	-40 to 473	°F

**Stop Collar - SCB070 - 7.000"**

Dimensional Data	Value	Unit	Value	Unit
Casing Size	7.000	inches	177.8	mm
Outer Diameter (nominal)	7.677	inches	195.0	mm
Inner Diameter (nominal)	7.165	inches	182.0	mm
Length	1.50	inches	38	mm
Weight	2.30	lbs	1.05	kg
Grub Screw Holes	8			
Grub Screw Dimensions	1/2" x 3/8" lg			
Grub Screw Head Style	1/4" Hexagonal			

Technical Data	Value	Unit	Value	Unit
Collar Material	Mild Steel			
Grub Screw Material	Steel			
Grub Screw Recommended Torque	30	ft lbs	41	Nm

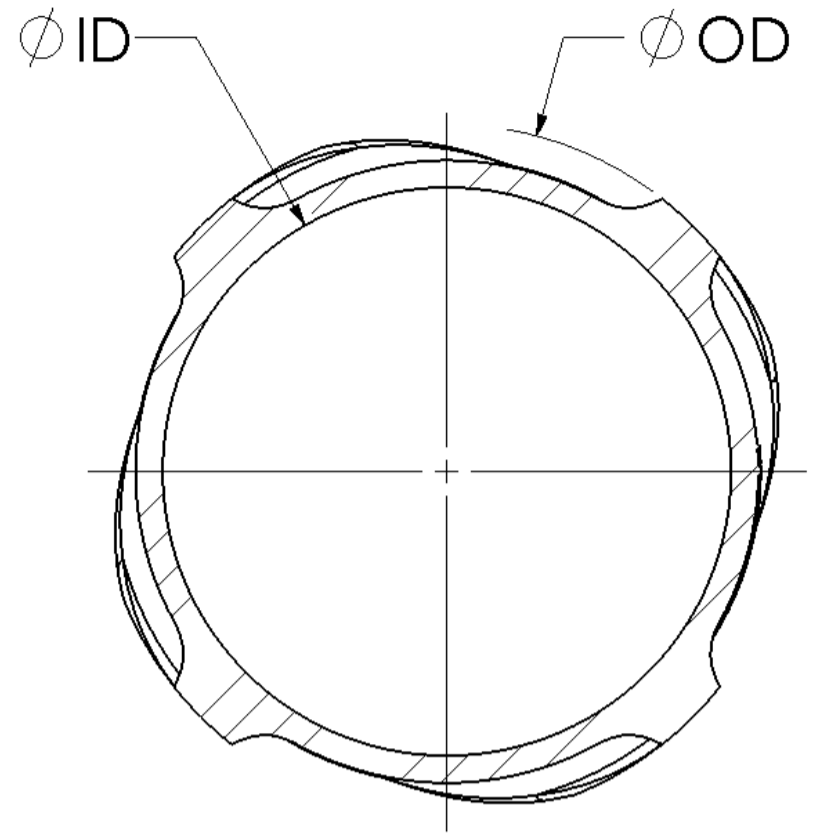
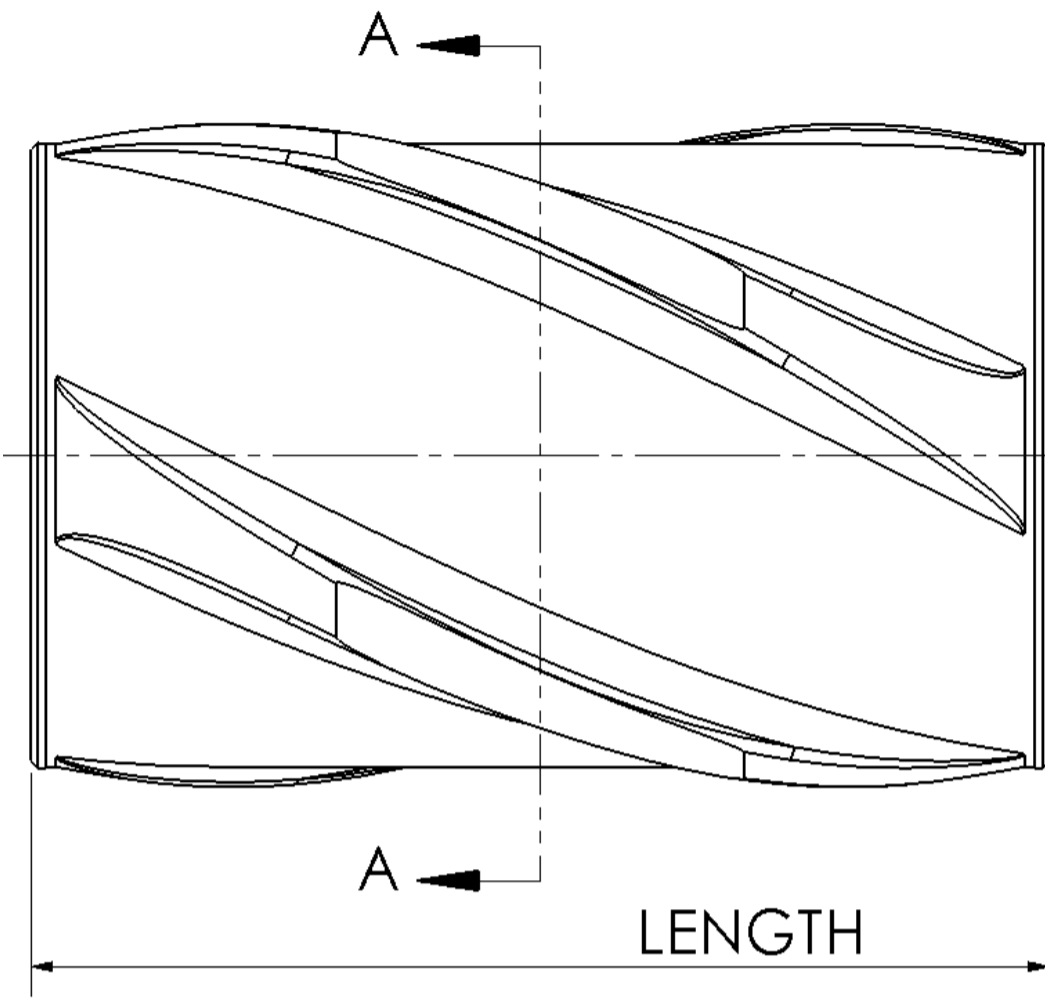
EzeeGLIDERS® come complete with integral metal anti-swage rings inset into each end  
 EzeeGLIDERS® are available in BOS21 engineered polymer  
 Stop Collar stainless steel grub screws available upon request  
 Tested in accordance with API-10 TR5  
 Custom sizes available upon request  
 Dimensions are subject to change

Version: 2017-06-14

**For more information**

Visit [www.innovex-inc.com](http://www.innovex-inc.com) or contact your local sales office.  
 Domestic and international patents and trademarks granted and/or applied for where applicable.

**THIS DOCUMENT IS PROVIDED IN STRICT CONFIDENCE AND MAY NOT BE DISCLOSED TO ANY THIRD PARTY OR USED FOR ANY OTHER PURPOSE WITHOUT THE EXPRESS WRITTEN PERMISSION OF INNOVEX.**



SECTION A-A

**For more information**

Visit [www.innovex-inc.com](http://www.innovex-inc.com) or contact your local sales office.  
Domestic and international patents and trademarks granted and/or applied for where applicable.

**THIS DOCUMENT IS PROVIDED IN STRICT CONFIDENCE AND MAY NOT BE DISCLOSED TO ANY THIRD PARTY OR USED FOR ANY OTHER PURPOSE WITHOUT THE EXPRESS WRITTEN PERMISSION OF INNOVEX.**