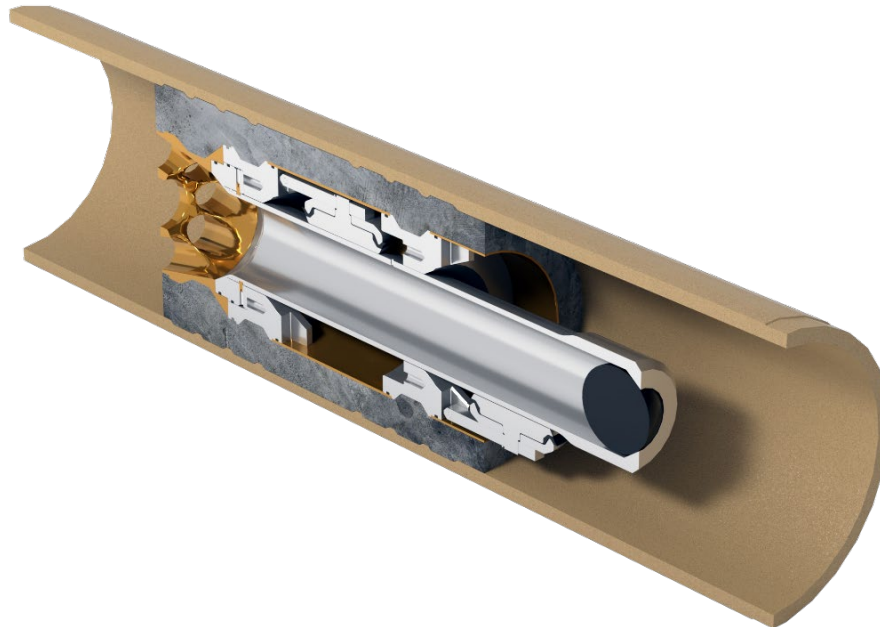


The **Spearfish Float Collar** is the ultimate autofill solution for surge reduction in close-tolerance applications. Our team has addressed the limitations of the marketplace of the day. The Spearfish Float Collar's forward-thinking design goes beyond surge reduction. It empowers casing and liner runs at higher speeds, especially within close annular tolerances, effectively minimizing mud losses and reducing rig time during operations.



FEATURES AND BENEFITS

Built on the proven 762 Ultra Mag chassis.

Costly surface fill time is reduced or eliminated.

Formation surges are reduced by allowing fluid to freely enter the casing.

Innovative patent-pending design mitigates:

- Premature conversion
 - Inability to deactivate autofill
-