

**PRODUCT LINE**

Fishing &amp; Intervention | Junk Catchers

**PRODUCT**

Junk Catcher Assemblies

**OVERVIEW**

The alternately long and short fingers of the junk catcher assembly extend almost to the center of the basket to form a close-fitting receptacle that will retain small pieces of junk that may impede drilling progress or hold a core sample.

**CONSTRUCTION**

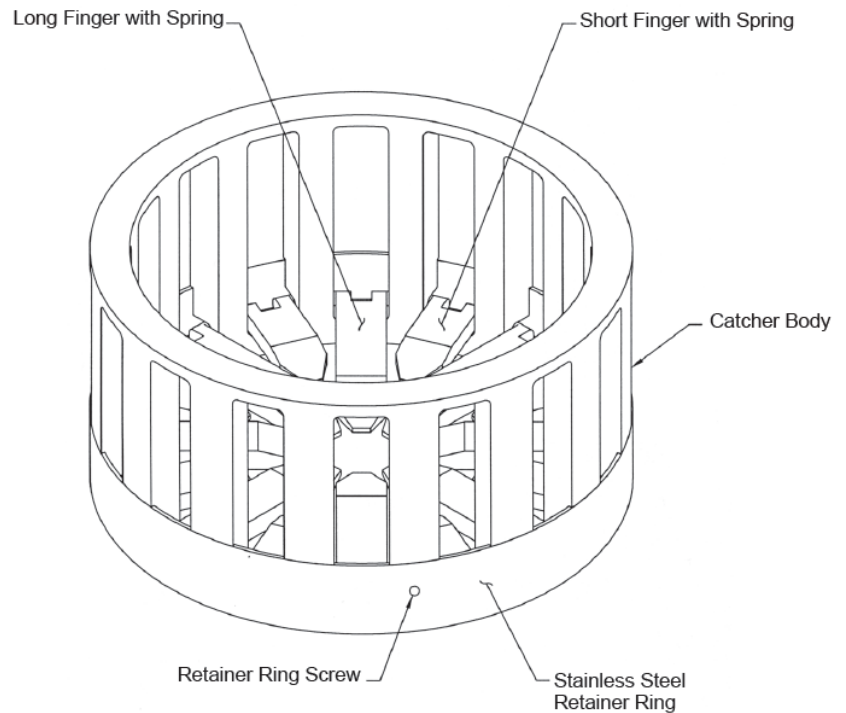
The steel body design provides greater strength and durability. The retainer ring, retainer screws and springs are made of stainless steel to eliminate rust and corrosion problems. Fingers are inexpensive and can be easily replaced.

**ASSEMBLY**

After redressing a junk catcher assembly, care must be taken to ensure that alternate long and short fingers are assembled in proper sequence.

**When ordering, please specify:**

- Name and number of assembly or part number
- Finger number and code, when ordering fingers

**FINGER CODE CHART**

CODE	PART NO	CODE	PART NO	CODE	PART NO	CODE	PART NO
A	E11006	I	E11003	P-1	E9007	21778-W	E9015
B	E9005	J	E11014	P-2	E11008	21779-W	E11016
C	E11005	K	E9014	W-1	E9012	362-W	E9006
D	-	L	E10003	W-2	E11013	363-W	E11007
E	E9001	M	E9010	W-3	E9002	690-W	E90015
F	E11000	N	E11010	W-4	E11001	691-W	E11015
G	E9013	O	-	X-1	E9019	666-W	E9009
H	E9004	P	-	X-2	E11020	667-W	E11011

Innovex reserves the right to change or discontinue designs without prior notice.

Note 1 Code: Each finger is stenciled with a letter or letter-number code. These codes are used in lieu of the part number because of space limitation. See the Finger Code Chart below to cross-reference the code with the part number.

**Recommended Spare Parts:**

- 2 x Sets of Fingers
- 4 x Sets of Torsion Springs
- 1 x Set of Pivot Pins
- 4 x Retainer Screws

**PRODUCT LINE**

Fishing & Intervention | Junk Catchers

**PRODUCT**

Junk Catcher Assemblies



Inside Diameter		2-11/32	2-39/64	2-23/32	2-17/32	2-17/32	2-31/32	3-1/16
Outside Diameter		3-5/8	4	4-1/2	5-3/4	7	7-7/8	9-1/8
Length		1-7/8	1-7/8	1-7/8	1-7/8	1-7/8	2-1/4	2-1/2
<b>Complete Assembly</b>	<b>Logan Part No.</b>	<b>600-015</b>	<b>600-031</b>	<b>500-023</b>	<b>14000-008</b>	<b>600-016</b>	<b>500-024</b>	<b>14000-009</b>
	Bowen No.	21795W	21810W	14593-W	22070-W	21855W	14589-W	22075-W
Body	<b>Logan Part No.</b>	<b>D11000</b>	<b>D11021</b>	<b>E7000</b>	<b>D11001</b>	<b>D11001</b>	<b>E7001</b>	<b>D11002</b>
	Bowen No.	56357	45542	45541	68366	68366	45590	45591
Finger Retainer (Stainless Steel)	<b>Logan Part No.</b>	<b>D12000</b>	<b>D12019</b>	<b>E8000</b>	<b>D12001</b>	<b>D12001</b>	<b>E8001</b>	<b>D12002</b>
	Bowen No.	56358	45538	45543	68367	68367	45562	45592
Short Finger*	<b>Logan Part No.</b>	<b>E9011</b>	<b>E9001</b>	<b>E9001</b>	<b>E9011</b>	<b>E9011</b>	<b>E9002</b>	<b>E9002</b>
	Bowen No.	68368	45539	45539	68368	68368	45574	45574
	Code	-	E	E	AD	-	W-3	R
	No. Req'd	4	5	5	8	4	5	10
Medium Finger*	<b>Logan Part No.</b>	-	-	-	-	-	-	-
	Bowen No.	-	-	-	-	-	-	-
	Code	-	-	-	-	-	-	-
	No. Req'd	-	-	-	-	-	-	-
Long Finger*	<b>Logan Part No.</b>	<b>E11012</b>	<b>E11000</b>	<b>E11000</b>	-	<b>E11012</b>	<b>E11001</b>	-
	Bowen No.	68369	45540	45540	-	68369	45575	-
	Code	-	F	F	-	-	W-4	-
	No. Req'd	4	5	5	-	4	5	-
Pivot Pin*	<b>Logan Part No.</b>	<b>E12001</b>	<b>E12000</b>	<b>E12000</b>	<b>E12001</b>	<b>E12001</b>	<b>E12001</b>	<b>E12001</b>
	Bowen No.	45583	45535	45535	45583	45583	45583	45583
	No. Req'd	8	10	10	8	8	10	10
Torsion Spring* (Stainless Steel)	<b>Logan Part No.</b>	<b>E13009</b>	<b>E13006</b>	<b>E13006</b>	<b>E13009</b>	<b>E13009</b>	<b>E13007</b>	<b>E13009</b>
	Bowen No.	45571	45567	45567	45571	45571	55958	45571
	No. Req'd	8	10	10	8	8	10	10
Retainer Screw* (Stainless Steel)	<b>Logan Part No.</b>	<b>E14000</b>	<b>E14000</b>	<b>E14000</b>	<b>E14000</b>	<b>E14000</b>	<b>E14000</b>	<b>E14000</b>
	Bowen No.	42257	42257	42257	42257	42257	42257	42257
	No. Req'd	2	2	2	2	2	2	2
Repair Kits	<b>Logan Part No.</b>	<b>600-015RK</b>	<b>600-031RK</b>	<b>500-023RK</b>	<b>14000-008RK</b>	<b>600-016RK</b>	<b>500-024RK</b>	<b>14000-009RK</b>
	Bowen No.	21795K	21810K	14593K	22070K	21855K	14589K	22075K

Innovex reserves the right to change or discontinue designs without prior notice.

\*Indicates Parts Included in Kit

**When ordering, please specify:**

Name and number of assembly or part number  
Finger number and code, when ordering fingers

**Recommended Spare Parts:**

2 x Sets of Fingers  
4 x Sets of Torsion Springs  
1 x Set of Pivot Pins  
4 x Retainer Screws

**FINGER CODE CHART**

CODE	PART NO	CODE	PART NO	CODE	PART NO	CODE	PART NO
A	E11006	I	E11003	P-1	E9007	21778-W	E9015
B	E9005	J	E11014	P-2	E11008	21779-W	E11016
C	E11005	K	E9014	W-1	E9012	362-W	E9006
D	-	L	E10003	W-2	E11013	363-W	E11007
E	E9001	M	E9010	W-3	E9002	690-W	E90015
F	E11000	N	E11010	W-4	E11001	691-W	E11015
G	E9013	O	-	X-1	E9019	666-W	E9009
H	E9004	P	-	X-2	E11020	667-W	E11011

Note 1 Code: Each finger is stenciled with a letter or letter-number code. These codes are used in lieu of the part number because of space limitation. See the Finger Code Chart below to cross-reference the code with the part number.



**PRODUCT LINE**

Fishing & Intervention | Junk Catchers

**PRODUCT**

Junk Catcher Assemblies



Inside Diameter		3-1/16	3-13/32	3-13/32	3-9/32	3-13/32	3-21/32	3-3/4
Outside Diameter		3-13/16	3-31/32	3-31/32	4	4-1/16	4-9/32	4-15/32
Length		2-1/2	1-63/64	1-63/64	2-3/8	2-3/8	2-1/4	2-9/16
<b>Complete Assembly</b>	<b>Logan Part No.</b>	<b>600-017</b>	<b>600-032</b>	<b>600-033</b>	<b>500-050</b>	<b>500-025</b>	<b>600-018</b>	<b>600-019</b>
	Bowen No.	21780W	21880W	21805W	14598-W	19377-W	521790W	21735W
Body	<b>Logan Part No.</b>	<b>D11002</b>	<b>D11022</b>	<b>D11022</b>	<b>E70015</b>	<b>E7002</b>	<b>D11003</b>	<b>E7003</b>
	Bowen No.	45591	45565	45565	45568	45563	45579	45559
Finger Retainer (Stainless Steel)	<b>Logan Part No.</b>	<b>D12002</b>	<b>D12020</b>	<b>D12020</b>	<b>E80015</b>	<b>E8002</b>	<b>D12003</b>	<b>E8003</b>
	Bowen No.	45592	45566	45566	45569	45564	45580	45560
Short Finger*	<b>Logan Part No.</b>	<b>E9012</b>	<b>E9002</b>	<b>E9002</b>	<b>E90015</b>	<b>E90015</b>	<b>E9012</b>	<b>E9004</b>
	Bowen No.	45574	45574	45574	55962	55962	45581	45558
	Code	W-3	R	R	690-W	690-W	W-1	H
	No. Req'd	5	12	6	5	5	6	5
Medium Finger*	<b>Logan Part No.</b>	-	-	-	-	-	-	-
	Bowen No.	-	-	-	-	-	-	-
	Code	-	-	-	-	-	-	-
	No. Req'd	-	-	-	-	-	-	-
Long Finger*	<b>Logan Part No.</b>	<b>E11001</b>	-	<b>E11001</b>	<b>E11015</b>	<b>E11015</b>	<b>E11013</b>	<b>E11003</b>
	Bowen No.	45575	-	45575	55963	55963	45582	45561
	Code	W-4	-	W-4	691-W	691-W	W-2	I
	No. Req'd	5	-	6	5	5	6	5
Pivot Pin*	<b>Logan Part No.</b>	<b>E12001</b>	<b>E12001</b>	<b>E12001</b>	<b>E12002</b>	<b>E12002</b>	<b>E12001</b>	-
	Bowen No.	45583	45583	45583	55957	55957	45583	-
	No. Req'd	10	12	12	10	10	12	-
Torsion Spring* (Stainless Steel)	<b>Logan Part No.</b>	<b>E13009</b>	<b>E13009</b>	<b>E13009</b>	<b>E13007</b>	<b>E13007</b>	<b>E13009</b>	<b>E13000</b>
	Bowen No.	45571	45571	45571	55958	55958	45571	45520
	No. Req'd	10	12	12	10	10	12	10
Retainer Screw* (Stainless Steel)	<b>Logan Part No.</b>	<b>E14000</b>	<b>E14000</b>	<b>E14000</b>	<b>E14000</b>	<b>E14000</b>	<b>E14000</b>	<b>E14000</b>
	Bowen No.	42257	42257	42257	42257	42257	42257	42257
	No. Req'd	2	2	2	2	2	2	2
Repair Kits	<b>Logan Part No.</b>	<b>600-017RK</b>	<b>600-032RK</b>	<b>600-033RK</b>	<b>500-050RK</b>	<b>500-025RK</b>	<b>600-018RK</b>	<b>600-019RK</b>
	Bowen No.	21780K	21880K	21805K	14598K	19377K	21790K	21735K

Innovex reserves the right to change or discontinue designs without prior notice.

\*Indicates Parts Included in Kit

**When ordering, please specify:**

Name and number of assembly or part number  
Finger number and code, when ordering fingers

**Recommended Spare Parts:**

2 x Sets of Fingers  
4 x Sets of Torsion Springs  
1 x Set of Pivot Pins  
4 x Retainer Screws

**FINGER CODE CHART**

CODE	PART NO	CODE	PART NO	CODE	PART NO	CODE	PART NO
A	E11006	I	E11003	P-1	E9007	21778-W	E9015
B	E9005	J	E11014	P-2	E11008	21779-W	E11016
C	E11005	K	E9014	W-1	E9012	362-W	E9006
D	-	L	E10003	W-2	E11013	363-W	E11007
E	E9001	M	E9010	W-3	E9002	690-W	E90015
F	E11000	N	E11010	W-4	E11001	691-W	E11015
G	E9013	O	-	X-1	E9019	666-W	E9009
H	E9004	P	-	X-2	E11020	667-W	E11011

Note 1 Code: Each finger is stenciled with a letter or letter-number code. These codes are used in lieu of the part number because of space limitation. See the Finger Code Chart below to cross-reference the code with the part number.



**PRODUCT LINE**

Fishing & Intervention | Junk Catchers

**PRODUCT**

Junk Catcher Assemblies



Inside Diameter		3-3/4	3-3/4	4-3/32	4-1/16	4-1/16	4-13/32	4-13/32
Outside Diameter		4-15/32	4-15/32	4-3/4	4-7/8	4-7/8	5-5/32	5-5/32
Length		2-9/16	2-9/16	2-1/2	2-25/32	2-25/32	2-13/16	1-13/32
<b>Complete Assembly</b>	<b>Logan Part No.</b>	<b>600-083</b>	<b>500-026</b>	<b>600-062</b>	<b>500-014</b>	<b>500-027</b>	<b>600-020</b>	<b>600-067</b>
	Bowen No.	14747-W	14603-W	21820W	14607-W	14608-W	28349W	25250-W
Body	<b>Logan Part No.</b>	<b>E7003</b>	<b>E7003</b>	<b>D11015</b>	<b>E7004</b>	<b>E7004</b>	<b>D11004</b>	<b>D11019</b>
	Bowen No.	45599	45599	45595	45555	45555	45511	68375
Finger Retainer (Stainless Steel)	<b>Logan Part No.</b>	<b>E8003</b>	<b>E8003</b>	<b>D12015</b>	<b>E8004</b>	<b>E8004</b>	<b>D12004</b>	<b>D12004</b>
	Bowen No.	45560	45560	45596	45556	45556	45519	45519
Short Finger*	<b>Logan Part No.</b>	<b>E9004</b>	<b>E9004</b>	<b>E9019</b>	<b>E9004</b>	<b>E9004</b>	<b>E9005</b>	<b>E9018</b>
	Bowen No.	45558	45558	45597	45558	45558	45517	68376
	Code	H	H	X-1	H	H	B	-
	No. Req'd	10	5	6	12	6	8	12
Medium Finger*	<b>Logan Part No.</b>	-	-	-	-	-	-	-
	Bowen No.	-	-	-	-	-	-	-
	Code	-	-	-	-	-	-	-
	No. Req'd	-	-	-	-	-	-	-
Long Finger*	<b>Logan Part No.</b>	-	<b>E11003</b>	<b>E11020</b>	-	<b>E9013</b>	<b>E11006</b>	-
	Bowen No.	-	45561	45598	-	45557	45516	-
	Code	-	I	X-2	-	G	A	-
	No. Req'd	-	5	6	-	6	4	-
Pivot Pin*	<b>Logan Part No.</b>	-	-	<b>E12010</b>	-	-	-	-
	Bowen No.	-	-	45599	-	-	-	-
	No. Req'd	-	-	12	-	-	-	-
Torsion Spring* (Stainless Steel)	<b>Logan Part No.</b>	<b>E13000</b>	<b>E13000</b>	<b>E13009</b>	<b>E13000</b>	<b>E13000</b>	<b>E13000</b>	<b>E13000</b>
	Bowen No.	45520	45520	45571	45520	45520	45520	45520
	No. Req'd	10	10	12	12	12	12	12
Retainer Screw* (Stainless Steel)	<b>Logan Part No.</b>	<b>E14000</b>	<b>E14000</b>	<b>E14000</b>	<b>E14000</b>	<b>E14000</b>	<b>E14000</b>	<b>E14000</b>
	Bowen No.	42257	42257	42257	42257	42257	42257	42257
	No. Req'd	2	2	2	2	2	2	2
Repair Kits	<b>Logan Part No.</b>	<b>600-083RK</b>	<b>500-026RK</b>	<b>600-062RK</b>	<b>500-014RK</b>	<b>500-027RK</b>	<b>600-020RK</b>	<b>600-067RK</b>
	Bowen No.	14747K	14603K	21820K	14607K	14608K	28349K	25250K

Innovex reserves the right to change or discontinue designs without prior notice.

\*Indicates Parts Included in Kit

**When ordering, please specify:**

Name and number of assembly or part number  
Finger number and code, when ordering fingers

**Recommended Spare Parts:**

2 x Sets of Fingers  
4 x Sets of Torsion Springs  
1 x Set of Pivot Pins  
4 x Retainer Screws

**FINGER CODE CHART**

CODE	PART NO	CODE	PART NO	CODE	PART NO	CODE	PART NO
A	E11006	I	E11003	P-1	E9007	21778-W	E9015
B	E9005	J	E11014	P-2	E11008	21779-W	E11016
C	E11005	K	E9014	W-1	E9012	362-W	E9006
D	-	L	E10003	W-2	E11013	363-W	E11007
E	E9001	M	E9010	W-3	E9002	690-W	E90015
F	E11000	N	E11010	W-4	E11001	691-W	E11015
G	E9013	O	-	X-1	E9019	666-W	E9009
H	E9004	P	-	X-2	E11020	667-W	E11011

Note 1 Code: Each finger is stenciled with a letter or letter-number code. These codes are used in lieu of the part number because of space limitation. See the Finger Code Chart below to cross-reference the code with the part number.



**PRODUCT LINE**

Fishing & Intervention | Junk Catchers

**PRODUCT**

Junk Catcher Assemblies



Inside Diameter		4-13/16	5-1/4	5-3/16	5-3/16	5-7/16	5-7/16	5-5/8
Outside Diameter		5-23/32	6-1/8	6-1/4	6-1/4	6-3/8	6-3/8	6-19/32
Length		3-1/16	3-5/16	3-5/16	3-5/16	3	3-5/16	2-7/8
<b>Complete Assembly</b>	<b>Logan Part No.</b>	<b>500-029</b>	<b>600-063</b>	<b>14000-011</b>	<b>600-022</b>	<b>500-017</b>	<b>500-030</b>	<b>600-060</b>
	Bowen No.	14618-W	18935-W	22050-W	21725W	14622-W	14623-W	21865W
Body	<b>Logan Part No.</b>	<b>E7006</b>	<b>D11016</b>	<b>D11006</b>	<b>D11006</b>	<b>E7007</b>	<b>E7007</b>	<b>D11013</b>
	Bowen No.	45512	45513	45550	45550	45545	45545	45602
Finger Retainer (Stainless Steel)	<b>Logan Part No.</b>	<b>E8006</b>	<b>D12016</b>	<b>D12006</b>	<b>D12006</b>	<b>E8007</b>	<b>E8007</b>	<b>D12014</b>
	Bowen No.	45552	45527	45551	45551	45546	45546	45528
Short Finger*	<b>Logan Part No.</b>	<b>E9005</b>	<b>E9005</b>	<b>E9013</b>	<b>E9013</b>	<b>E9005</b>	<b>E9005</b>	<b>E9005</b>
	Bowen No.	45517	45517	45557	45557	45517	45517	45517
	Code	B	B	G	G	B	B	B
	No. Req'd	6	6	12	6	14	7	12
Medium Finger*	<b>Logan Part No.</b>	-	<b>E11006</b>	-	-	-	-	-
	Bowen No.	-	45516	-	-	-	-	-
	Code	-	A	-	-	-	-	-
	No. Req'd	-	3	-	-	-	-	-
Long Finger*	<b>Logan Part No.</b>	<b>E11006</b>	<b>E11005</b>	-	<b>E11005</b>	-	<b>E11005</b>	-
	Bowen No.	45516	45518	-	C	-	45516	-
	Code	A	C	-	C	-	C	-
	No. Req'd	6	3	-	6	-	7	-
Pivot Pin*	<b>Logan Part No.</b>	-	-	-	-	-	-	-
	Bowen No.	-	-	-	-	-	-	-
	No. Req'd	-	-	-	-	-	-	-
Torsion Spring* (Stainless Steel)	<b>Logan Part No.</b>	<b>E13000</b>	<b>E13000</b>	<b>E13009</b>	<b>E13000</b>	<b>E13000</b>	<b>E13000</b>	<b>E13000</b>
	Bowen No.	45520	45520	45571	45520	45520	45520	45520
	No. Req'd	12	12	12	12	12	12	12
Retainer Screw* (Stainless Steel)	<b>Logan Part No.</b>	<b>E14000</b>	<b>E14000</b>	<b>E14000</b>	<b>E14000</b>	<b>E14000</b>	<b>E14000</b>	<b>E14000</b>
	Bowen No.	42257	42257	42257	42257	42257	42257	42257
	No. Req'd	2	2	2	2	2	2	2
Repair Kits	<b>Logan Part No.</b>	<b>500-029RK</b>	<b>600-063RK</b>	<b>14000-011RK</b>	<b>600-022RK</b>	<b>500-030RK</b>	<b>500-030RK</b>	<b>600-060RK</b>
	Bowen No.	14618K	18935K	22050K	21725K	14622K	14623K	21865K

Innovex reserves the right to change or discontinue designs without prior notice.

\*Indicates Parts Included in Kit

**When ordering, please specify:**

Name and number of assembly or part number  
Finger number and code, when ordering fingers

**Recommended Spare Parts:**

2 x Sets of Fingers  
4 x Sets of Torsion Springs  
1 x Set of Pivot Pins  
4 x Retainer Screws

**FINGER CODE CHART**

CODE	PART NO	CODE	PART NO	CODE	PART NO	CODE	PART NO
A	E11006	I	E11003	P-1	E9007	21778-W	E9015
B	E9005	J	E11014	P-2	E11008	21779-W	E11016
C	E11005	K	E9014	W-1	E9012	362-W	E9006
D	-	L	E10003	W-2	E11013	363-W	E11007
E	E9001	M	E9010	W-3	E9002	690-W	E90015
F	E11000	N	E11010	W-4	E11001	691-W	E11015
G	E9013	O	-	X-1	E9019	666-W	E9009
H	E9004	P	-	X-2	E11020	667-W	E11011

Note 1 Code: Each finger is stenciled with a letter or letter-number code. These codes are used in lieu of the part number because of space limitation. See the Finger Code Chart below to cross-reference the code with the part number.



**PRODUCT LINE**

Fishing & Intervention | Junk Catchers

**PRODUCT**

Junk Catcher Assemblies



Inside Diameter		5-5/8	6	6	6	6-3/16	6-3/16	6-1/2
Outside Diameter		6-19/32	7	7	7	7-1/8	7-1/8	7-7/16
Length		3-5/8	1-23/32	3-7/16	3.44	3-13/16	3-13/16	3-1/2
<b>Complete Assembly</b>	<b>Logan Part No.</b>	<b>600-061</b>	<b>14000-012</b>	<b>600-023</b>	<b>600-085</b>	<b>500-018</b>	<b>500-031</b>	<b>600-030</b>
	Bowen No.	18936W	21640-W	18725W	-	14627-W	14628-W	18720-W
Body	<b>Logan Part No.</b>	<b>D11014</b>	<b>E7014</b>	<b>D11007</b>	<b>D11007</b>	<b>E7008</b>	<b>E7008</b>	<b>D11020</b>
	Bowen No.	45514	68382	45505	45505	45547	45547	45515
Finger Retainer (Stainless Steel)	<b>Logan Part No.</b>	<b>D12014</b>	<b>D12007</b>	<b>D12007</b>	<b>D12007</b>	<b>E8008</b>	<b>E8008</b>	<b>D12018</b>
	Bowen No.	45528	45506	45506	45506	45548	45548	45529
Short Finger*	<b>Logan Part No.</b>	<b>E9005</b>	<b>E9016</b>	<b>E9014</b>	<b>E9014</b>	<b>E9006</b>	<b>E9006</b>	<b>E9014</b>
	Bowen No.	45517	68383	45508	45508	47670	47670	45508
	Code	B	AH	K	K	362-W	362-W	K
	No. Req'd	6	12	6	12	12	6	6
Medium Finger*	<b>Logan Part No.</b>	-	-	-	-	-	-	-
	Bowen No.	-	-	-	-	-	-	-
	Code	-	-	-	-	-	-	-
	No. Req'd	-	-	-	-	-	-	-
Long Finger*	<b>Logan Part No.</b>	<b>E11005</b>	-	<b>E11014</b>	-	<b>E11007</b>	<b>E11014</b>	-
	Bowen No.	45518	-	45507	-	47669	45507	-
	Code	C	-	J	-	363-W	J	-
	No. Req'd	6	-	6	-	6	6	-
Pivot Pin*	<b>Logan Part No.</b>	-	-	-	-	<b>E12008</b>	<b>E12008</b>	-
	Bowen No.	-	-	-	-	45536	45536	-
	No. Req'd	-	-	-	-	12	12	-
Torsion Spring* (Stainless Steel)	<b>Logan Part No.</b>	<b>E13000</b>	<b>E13002</b>	<b>E13004</b>	<b>E13004</b>	<b>E13001</b>	<b>E13001</b>	<b>E13004</b>
	Bowen No.	45520	45549	45509	45509	45537	45537	45509
	No. Req'd	12	12	12	12	12	12	12
Retainer Screw* (Stainless Steel)	<b>Logan Part No.</b>	<b>E14000</b>	<b>E14000</b>	<b>E14000</b>	<b>E14000</b>	<b>E14000</b>	<b>E14000</b>	<b>E14000</b>
	Bowen No.	42257	42257	42257	42257	42257	42257	42257
	No. Req'd	2	2	2	2	2	2	2
Repair Kits	<b>Logan Part No.</b>	<b>600-061RK</b>	<b>14000-012RK</b>	<b>600-023RK</b>	-	<b>500-018RK</b>	<b>500-031RK</b>	<b>600-030RK</b>
	Bowen No.	14618K	18935K	22050K	-	14622K	14623K	21865K

Innovex reserves the right to change or discontinue designs without prior notice.

\*Indicates Parts Included in Kit

**When ordering, please specify:**

Name and number of assembly or part number  
Finger number and code, when ordering fingers

**Recommended Spare Parts:**

2 x Sets of Fingers  
4 x Sets of Torsion Springs  
1 x Set of Pivot Pins  
4 x Retainer Screws

**FINGER CODE CHART**

CODE	PART NO	CODE	PART NO	CODE	PART NO	CODE	PART NO
A	E11006	I	E11003	P-1	E9007	21778-W	E9015
B	E9005	J	E11014	P-2	E11008	21779-W	E11016
C	E11005	K	E9014	W-1	E9012	362-W	E9006
D	-	L	E10003	W-2	E11013	363-W	E11007
E	E9001	M	E9010	W-3	E9002	690-W	E90015
F	E11000	N	E11010	W-4	E11001	691-W	E11015
G	E9013	O	-	X-1	E9019	666-W	E9009
H	E9004	P	-	X-2	E11020	667-W	E11011

Note 1 Code: Each finger is stenciled with a letter or letter-number code. These codes are used in lieu of the part number because of space limitation. See the Finger Code Chart below to cross-reference the code with the part number.



**PRODUCT LINE**

Fishing & Intervention | Junk Catchers

**PRODUCT**

Junk Catcher Assemblies



		7-1/16	7-3/16	7-3/16	7-11/16	7-13/16	7-13/16	8-1/16
Inside Diameter		7-7/8	8-1/8	8-1/8	9	9-1/32	9-1/32	9-5/16
Outside Diameter		4-5/16	4-5/16	4-5/16	4-5/8	2-5/16	4-5/8	5
Length								
<b>Complete Assembly</b>	<b>Logan Part No.</b>	<b>600-034</b>	<b>14000-013</b>	<b>600-024</b>	<b>600-025</b>	<b>14000-014</b>	<b>500-019</b>	<b>500-054</b>
	Bowen No.	9800W	14632-W	14633W	21755W	25235-W	18945-W	14637-W
Body	<b>Logan Part No.</b>	<b>D11023</b>	<b>E7009</b>	<b>E7009</b>	<b>D11008</b>	<b>E7016</b>	<b>E7010</b>	<b>E7013</b>
	Bowen No.	68396	45521	45521	68116	68388	45522	45523
Finger Retainer (Stainless Steel)	<b>Logan Part No.</b>	<b>D12021</b>	<b>D12008</b>	<b>D12008</b>	<b>D12009</b>	<b>E8010</b>	<b>E8010</b>	<b>E8013</b>
	Bowen No.	68397	45530	45530	68117	45531	45531	45532
Short Finger*	<b>Logan Part No.</b>	<b>E9010</b>	<b>E9007</b>	<b>E9007</b>	<b>E11014</b>	<b>E9016</b>	<b>E11014</b>	<b>E9010</b>
	Bowen No.	45525	45588	45588	45507	68383	45507	45525
	Code	M	N	P-1	J	S	J	M
	No. Req'd	6	12	6	6	12	6	16
Medium Finger*	<b>Logan Part No.</b>	-	-	-	-	-	-	-
	Bowen No.	-	-	-	-	-	-	-
	Code	-	-	-	-	-	-	-
	No. Req'd	-	-	-	-	-	-	-
Long Finger*	<b>Logan Part No.</b>	<b>E10003</b>	-	<b>E11008</b>	<b>E11018</b>	-	<b>E11018</b>	-
	Bowen No.	45510	-	45589	70277	-	70277	-
	Code	L	-	P-2	J	-	J	-
	No. Req'd	6	-	6	6	-	6	-
Pivot Pin*	<b>Logan Part No.</b>	-	-	-	-	-	-	-
	Bowen No.	-	-	-	-	-	-	-
	No. Req'd	-	-	-	-	-	-	-
Torsion Spring* (Stainless Steel)	<b>Logan Part No.</b>	<b>E13002</b>	<b>E13002</b>	<b>E13002</b>	<b>E13004</b>	<b>E13004</b>	<b>E13004</b>	<b>E13004</b>
	Bowen No.	45549	45549	45549	45509	45509	45509	45509
	No. Req'd	12	12	12	12	12	12	16
Retainer Screw* (Stainless Steel)	<b>Logan Part No.</b>	<b>E14000</b>	<b>E14000</b>	<b>E14000</b>	<b>E14000</b>	<b>E14000</b>	<b>E14000</b>	<b>E14000</b>
	Bowen No.	42257	42257	42257	42257	42257	42257	42257
	No. Req'd	2	2	2	2	2	2	2
Repair Kits	<b>Logan Part No.</b>	<b>600-034RK</b>	<b>14000-013RK</b>	<b>600-024RK</b>	-	<b>500-018RK</b>	<b>500-031RK</b>	<b>600-030RK</b>
	Bowen No.	18936K	21640K	18725K	-	14627K	14628K	18720K

Innovex reserves the right to change or discontinue designs without prior notice.

\*Indicates Parts Included in Kit

**When ordering, please specify:**

Name and number of assembly or part number  
Finger number and code, when ordering fingers

**Recommended Spare Parts:**

2 x Sets of Fingers  
4 x Sets of Torsion Springs  
1 x Set of Pivot Pins  
4 x Retainer Screws

**FINGER CODE CHART**

CODE	PART NO	CODE	PART NO	CODE	PART NO	CODE	PART NO
A	E11006	I	E11003	P-1	E9007	21778-W	E9015
B	E9005	J	E11014	P-2	E11008	21779-W	E11016
C	E11005	K	E9014	W-1	E9012	362-W	E9006
D	-	L	E10003	W-2	E11013	363-W	E11007
E	E9001	M	E9010	W-3	E9002	690-W	E90015
F	E11000	N	E11010	W-4	E11001	691-W	E11015
G	E9013	O	-	X-1	E9019	666-W	E9009
H	E9004	P	-	X-2	E11020	667-W	E11011

Note 1 Code: Each finger is stenciled with a letter or letter-number code. These codes are used in lieu of the part number because of space limitation. See the Finger Code Chart below to cross-reference the code with the part number.





**PRODUCT LINE**

Fishing & Intervention | Junk Catchers

**PRODUCT**

Junk Catcher Assemblies



Inside Diameter		8-1/16	8-5/16	8-5/16	8-5/16	8-11/16	9-1/8	9-1/8
Outside Diameter		9-5/16	9-3/4	9-3/4	9-3/4	10-3/32	10-7/16	10-7/16
Length		5	5	5	4-1/2	5-3/32	5-3/16	5-3/16
<b>Complete Assembly</b>	<b>Logan Part No.</b>	<b>500-032</b>	<b>14000-015</b>	<b>600-026</b>	<b>600-064</b>	<b>600-027</b>	<b>500-020</b>	<b>500-033</b>
	Bowen No.	14638-W	31046-W	21760W	22000-W	21840W	14642-W	14643-W
Body	<b>Logan Part No.</b>	<b>E7013</b>	<b>D11009</b>	<b>D11009</b>	<b>D11017</b>	<b>D11010</b>	<b>E7011</b>	<b>E7011</b>
	Bowen No.	45523	45576	45576	45577	45593	45524	45524
Finger Retainer (Stainless Steel)	<b>Logan Part No.</b>	<b>E8013</b>	<b>D12010</b>	<b>D12010</b>	<b>D12010</b>	<b>D12011</b>	<b>E8011</b>	<b>E8011</b>
	Bowen No.	45532	45578	45578	45578	45594	45533	45533
Short Finger*	<b>Logan Part No.</b>	<b>E9010</b>	<b>E9010</b>	<b>E9010</b>	<b>E9010</b>	<b>E11014</b>	<b>E11014</b>	<b>E9010</b>
	Bowen No.	45525	45525	45525	45525	45507	45507	45507
	Code	M	M	M	M	J	J	J
	No. Req'd	8	16	8	16	8	16	8
Medium Finger*	<b>Logan Part No.</b>	<b>E11014</b>	-	<b>E10003</b>	-	<b>E10003</b>	-	<b>E10003</b>
	Bowen No.	45507	-	45510	-	45510	-	45510
	Code	J	-	L	-	L	-	L
	No. Req'd	4	-	4	-	4	-	4
Long Finger*	<b>Logan Part No.</b>	<b>E11017</b>	-	<b>E11010</b>	-	<b>E11010</b>	-	<b>E11010</b>
	Bowen No.	68295	-	45526	-	45526	-	45526
	Code	N	-	N	-	N	-	N
	No. Req'd	4	-	4	-	4	-	4
Pivot Pin*	<b>Logan Part No.</b>	-	-	-	-	-	-	-
	Bowen No.	-	-	-	-	-	-	-
	No. Req'd	-	-	-	-	-	-	-
Torsion Spring* (Stainless Steel)	<b>Logan Part No.</b>	<b>E13004</b>	<b>E13004</b>	<b>E13004</b>	<b>E13004</b>	<b>E13004</b>	<b>E13004</b>	<b>E13004</b>
	Bowen No.	45509	45509	45509	45509	45509	45509	45509
	No. Req'd	16	16	16	16	16	16	16
Retainer Screw* (Stainless Steel)	<b>Logan Part No.</b>	<b>E14000</b>	<b>E14000</b>	<b>E14000</b>	<b>E14000</b>	<b>E14000</b>	<b>E14000</b>	<b>E14000</b>
	Bowen No.	42257	42257	42257	42257	42257	42257	42257
	No. Req'd	2	2	2	2	2	2	2
Repair Kits	<b>Logan Part No.</b>	<b>500-032RK</b>	<b>14000-015RK</b>	<b>600-026RK</b>	<b>600-064RK</b>	<b>600-027RK</b>	<b>500-020RK</b>	<b>500-033RK</b>
	Bowen No.	14638K	31046K	21760K	22000K	21840K	14642K	14643K

Innovex reserves the right to change or discontinue designs without prior notice.

\*Indicates Parts Included in Kit

**When ordering, please specify:**

Name and number of assembly or part number  
Finger number and code, when ordering fingers

**Recommended Spare Parts:**

2 x Sets of Fingers  
4 x Sets of Torsion Springs  
1 x Set of Pivot Pins  
4 x Retainer Screws

**FINGER CODE CHART**

CODE	PART NO	CODE	PART NO	CODE	PART NO	CODE	PART NO
A	E11006	I	E11003	P-1	E9007	21778-W	E9015
B	E9005	J	E11014	P-2	E11008	21779-W	E11016
C	E11005	K	E9014	W-1	E9012	362-W	E9006
D	-	L	E10003	W-2	E11013	363-W	E11007
E	E9001	M	E9010	W-3	E9002	690-W	E90015
F	E11000	N	E11010	W-4	E11001	691-W	E11015
G	E9013	O	-	X-1	E9019	666-W	E9009
H	E9004	P	-	X-2	E11020	667-W	E11011

Note 1 Code: Each finger is stenciled with a letter or letter-number code. These codes are used in lieu of the part number because of space limitation. See the Finger Code Chart below to cross-reference the code with the part number.





**PRODUCT LINE**

Fishing & Intervention | Junk Catchers

**PRODUCT**

Junk Catcher Assemblies



Inside Diameter		10-1/8	10-1/8	9-7/8	11-3/16	12-3/8	12-3/8	
Outside Diameter		11-3/8	11-3/8	11-21/32	13-5/8	13-13/16	13-13/16	
Length		6	6	5-31/32	7-5/16	7-7/8	7-7/8	
<b>Complete Assembly</b>	<b>Logan Part No.</b>	<b>500-021</b>	<b>500-034</b>	<b>600-028</b>	<b>600-028</b>	<b>500-022</b>	<b>500-035</b>	
	Bowen No.	14647-W	14678-W	21770W	21775W	14652-W	14653-W	
Body	<b>Logan Part No.</b>	<b>E7012</b>	<b>E7012</b>	<b>D11011</b>	<b>D11012</b>	<b>E7015</b>	<b>E7015</b>	
	Bowen No.	45586	45586	64810	45606	68391	68391	
Finger Retainer (Stainless Steel)	<b>Logan Part No.</b>	<b>E8012</b>	<b>E8012</b>	<b>D12012</b>	<b>D12013</b>	<b>E8014</b>	<b>E8014</b>	
	Bowen No.	45587	45587	64811	45606	68392	68392	
Short Finger*	<b>Logan Part No.</b>	<b>E9009</b>	<b>E9009</b>	<b>E9009</b>	<b>E9015</b>	<b>E9017</b>	<b>E9017</b>	
	Bowen No.	666	666	666	45607	68393	68393	
	Code	666-W	666-W	666-W	21778-W	-	-	
	No. Req'd	16	8	8	7	14	7	
Medium Finger*	<b>Logan Part No.</b>	-	-	-	-	-	-	
	Bowen No.	-	-	-	-	-	-	
	Code	-	-	-	-	-	-	
	No. Req'd	-	-	-	-	-	-	
Long Finger*	<b>Logan Part No.</b>	-	<b>E11011</b>	<b>E11011</b>	<b>E11016</b>	-	<b>E11019</b>	
	Bowen No.	-	667	667	45608	-	68395	
	Code	-	667-W	667-W	21779-W	-	-	
	No. Req'd	-	8	8	7	-	7	
Pivot Pin*	<b>Logan Part No.</b>	<b>E12012</b>	<b>E12012</b>	<b>E12012</b>	<b>E12009</b>	<b>E12013</b>	<b>E12013</b>	
	Bowen No.	45603	45603	45603	45609	68394	68394	
	No. Req'd	16	16	16	14	14	14	
Torsion Spring* (Stainless Steel)	<b>Logan Part No.</b>	<b>E13005</b>	<b>E13005</b>	<b>E13005</b>	<b>E13010</b>	<b>E13004</b>	<b>E13004</b>	
	Bowen No.	45604	45604	45604	45610	45509	45509	
	No. Req'd	16	16	16	14	14	14	
Retainer Screw* (Stainless Steel)	<b>Logan Part No.</b>	<b>E14000</b>	<b>E14000</b>	<b>E14000</b>	<b>E14000</b>	<b>E14000</b>	<b>E14000</b>	
	Bowen No.	42257	42257	42257	42257	42257	42257	
	No. Req'd	2	2	2	2	2	2	
Repair Kits	<b>Logan Part No.</b>	<b>500-021RK</b>	<b>500-034RK</b>	<b>600-028RK</b>	<b>600-029RK</b>	<b>600-022RK</b>	<b>500-035RK</b>	
	Bowen No.	1464K	14648K	21770K	21775K	14652K	14653K	

Innovex reserves the right to change or discontinue designs without prior notice.

\*Indicates Parts Included in Kit

**When ordering, please specify:**

Name and number of assembly or part number  
Finger number and code, when ordering fingers

**Recommended Spare Parts:**

2 x Sets of Fingers  
4 x Sets of Torsion Springs  
1 x Set of Pivot Pins  
4 x Retainer Screws

**FINGER CODE CHART**

CODE	PART NO	CODE	PART NO	CODE	PART NO	CODE	PART NO
A	E11006	I	E11003	P-1	E9007	21778-W	E9015
B	E9005	J	E11014	P-2	E11008	21779-W	E11016
C	E11005	K	E9014	W-1	E9012	362-W	E9006
D	-	L	E10003	W-2	E11013	363-W	E11007
E	E9001	M	E9010	W-3	E9002	690-W	E90015
F	E11000	N	E11010	W-4	E11001	691-W	E11015
G	E9013	O	-	X-1	E9019	666-W	E9009
H	E9004	P	-	X-2	E11020	667-W	E11011

Note 1 Code: Each finger is stenciled with a letter or letter-number code. These codes are used in lieu of the part number because of space limitation. See the Finger Code Chart below to cross-reference the code with the part number.

