

PRODUCT LINE

Fishing & Intervention | Internal Catch

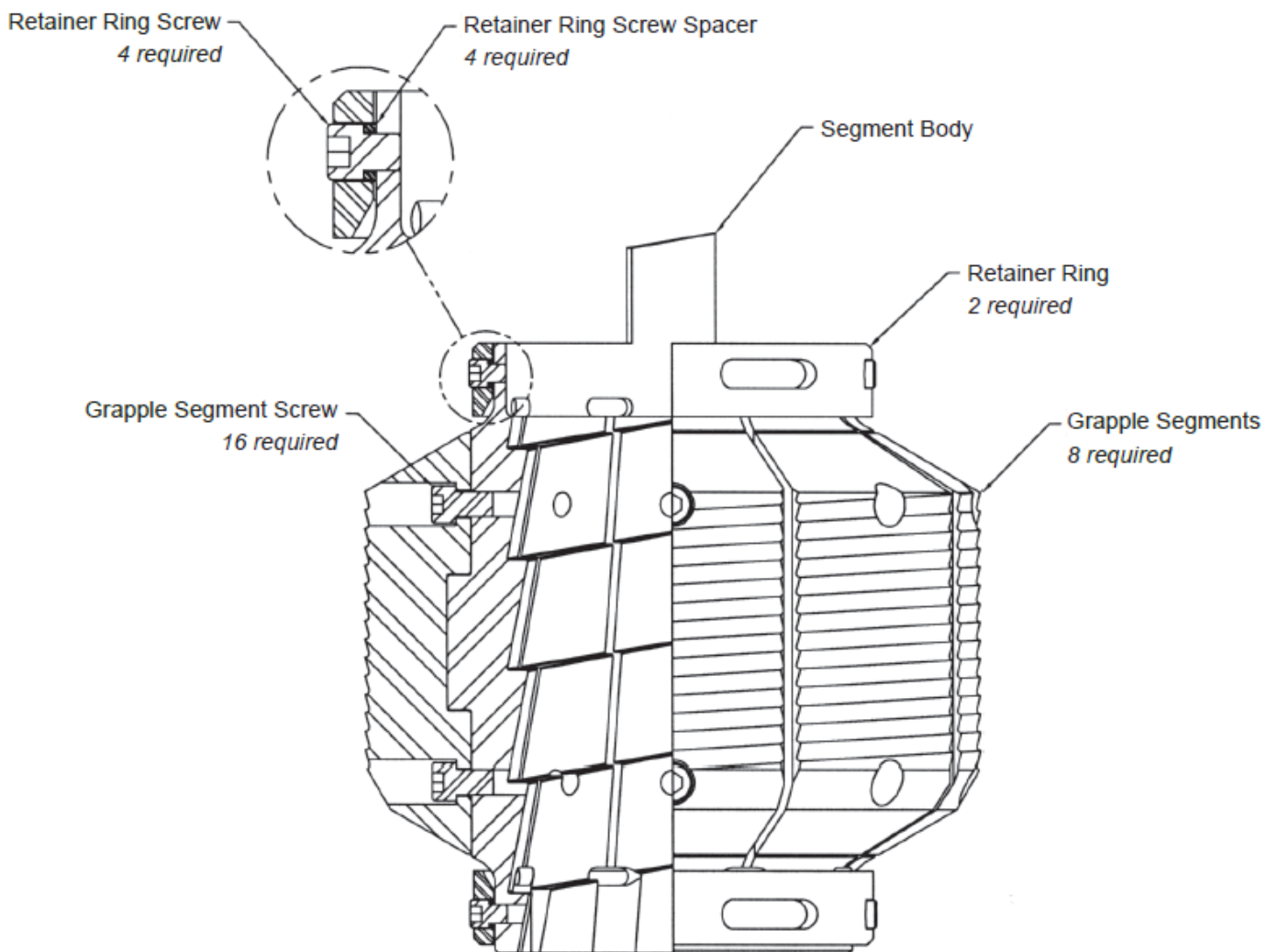
PRODUCT

Segmented Spear Grapple Assemblies



OVERVIEW

The segment-type spear grapple enhances the spear's usefulness by providing an extended catching range beyond the maximum range of the standard one-piece grapple. The Logan Segment-Type Spear Grapple consists of a grapple body, eight grapple segments, two retainer rings, six retainer ring screws, six retainer ring spacers, and sixteen grapple segment screws.



PRODUCT LINE

Fishing & Intervention | Internal Catch

PRODUCT

Segmented Spear Grapple Assemblies



Assembles to Spear	Logan Part No.	202-025	202-025	202-025	202-025	202-018	202-018	202-018	202-018
Spear OD	Bowen No.	9380	9380	9380	9380	17243	17423	17423	17423
Catch Size (Pipe Size)		10-3/4	11-3/4	12-3/4	13-3/8	10-3/4	11-3/4	12-3/4	13-3/8
Pipe Weight		32.75	38.00	45.45	48.00	32.75	38.00	45.45	48.60
		48.00	54.00	66.72	68.00	48.00	54.00	66.72	68.00
		40.00	47.00	-	61.00	40.00	47.00	-	61.00
		55.50	60.00	-	85.00	55.50	60.00	-	85.00
Complete Assembly	Logan Part No.	205-000	205-000	205-000	205-000	205-001	205-001	205-001	205-001
	Bowen No.	9382	9382	9382	9382	17245	17245	17245	17245
Grapple Body	Logan Part No.	F3029-A	F3029-A	F3029-A	F3029-A	F3030-A	F3030-A	F3030-A	F3030-A
	Bowen No.	9382-A	9382-A	9382-A	9382-A	17245-A	17245-A	17245-A	17245-A
Grapple Segment (8 per set)	Logan Part No.	F3029-B	F3029-B	F3029-B	F3029-B	F3030-B	F3030-B	F3030-B	F3030-B
	Bowen No.	9382-B	9382-B	9382-B	9382-B	17245-B	17245-B	17245-B	17245-B
Segment Screw	Logan Part No.	T3000	T3000	T3000	T3000	T3000	T3000	T3000	T3000
	Bowen No.	12198	12198	12198	12198	12198	12198	12198	12198
	No Req'd	16	16	16	16	16	16	16	16
Retainer Ring	Logan Part No.	T4000	T4000	T4000	T4000	T4000	T4000	T4000	T4000
	Bowen No.	56855	56855	56855	56855	56855	56855	56855	56855
	No Req'd	2	2	2	2	2	2	2	2
Retainer Ring Screw	Logan Part No.	T5000	T5000	T5000	T5000	T5000	T5000	T5000	T5000
	Bowen No.	23535	23535	23535	23535	23535	23535	23535	23535
	No Req'd	4	4	4	4	4	4	4	4
Retainer Ring Screw Spacer	Logan Part No.	T6000	T6000	T6000	T6000	T6000	T6000	T6000	T6000
	Bowen No.	56979	56979	56979	56979	56979	56979	56979	56979
	No Req'd	4	4	4	4	4	4	4	4

Assembles to Spear	Logan Part No.	202-019	202-019	202-019	202-019	202-019	202-020	202-020	202-020
Spear OD	Bowen No.	9281	9281	9281	9281	9281	17246	17246	17246
Catch Size (Pipe Size)		13-3/8	14	16	18-5/8	20	13-3/8	14	16
Pipe Weight		48.00	42.00	55.00	90.00	90.00	48.00	42.00	55.00
		68.00	57.00	65.00	106.50	94.00	68.00	57.00	65.00
		61.00	-	84.00	-	106.00	61.00	-	133.00
		85.00	-	109.00	-	133.00	85.00	-	-
Complete Assembly	Logan Part No.	205-002	205-002	205-002	205-002	205-002	205-003	205-003	205-003
	Bowen No.	9283	9283	9283	9283	9283	17248	17248	17248
Grapple Body	Logan Part No.	F3032-A	F3032-A	F3032-A	F3032-A	F3032-A	F3034-A	F3034-A	F3034-A
	Bowen No.	9283-A	9283-A	9283-A	9283-A	9283-A	17248-A	17248-A	17248-A
Grapple Segment (8 per set)	Logan Part No.	F3032-B	F3032-B	F3032-B	F3032-B	F3032-B	F3034-B	F3034-B	F3034-B
	Bowen No.	9283-B	9283-B	9283-B	9283-B	9283-B	17248-B	17248-B	17248-B
Segment Screw	Logan Part No.	T3001	T3001	T3001	T3001	T3001	T3001	T3001	T3001
	Bowen No.	23020	23020	23020	23020	23020	23020	23020	23020
	No Req'd	16	16	16	16	16	16	16	16
Retainer Ring	Logan Part No.	T4001	T4001	T4001	T4001	T4001	T4001	T4001	T4001
	Bowen No.	56409	56409	56409	56409	56409	56409	56409	56409
	No Req'd	2	2	2	2	2	2	2	2
Retainer Ring Screw	Logan Part No.	T5001	T5001	T5001	T5001	T5001	T5001	T5001	T5001
	Bowen No.	56813	56813	56813	56813	56813	56813	56813	56813
	No Req'd	4	4	4	4	4	4	4	4
Retainer Ring Screw Spacer	Logan Part No.	T6000	T6000	T6000	T6000	T6000	T6000	T6000	T6000
	Bowen No.	56979	56979	56979	56979	56979	56979	56979	56979
	No Req'd	4	4	4	4	4	4	4	4

Innovex reserves the right to change or discontinue designs without prior notice.



PRODUCT LINE

PRODUCT



Fishing & Intervention | Internal Catch

Segmented Spear Grapple Assemblies

Assembles to Spear	Logan Part No.	202-020	202-020	202-021	202-021	202-021			
Spear OD	Bowen No.	17246	17246	27780	27780	27780			
Catch Size (Pipe Size)		18-5/8	20	16	18-5/8	20			
Pipe Weight		-	90.00	55.00	-	90.00			
		-	94.00	65.00	-	94.00			
		-	133.00	84.00	-	133.00			
Complete Assembly	Logan Part No.	205-003	205-003	205-004	205-004	205-004			
	Bowen No.	17248	17248	27782	27782	27782			
Grapple Body	Logan Part No.	F3034-A	F3034-A	F3035-A	F3035-A	F3035-A			
	Bowen No.	17248-A	17248-A	27782-A	27782-A	27782-A			
Grapple Segment (8 per set)	Logan Part No.	F3034-B	F3034-B	F3035-B	F3035-B	F3035-B			
	Bowen No.	17248-B	17248-B	27782-B	27782-B	27782-B			
Segment Screw	Logan Part No.	T3001	T3001	T3002	T3002	T3002			
	Bowen No.	23020	23020	12019	12019	12019			
	No Req'd	16	16	16	16	16			
Retainer Ring	Logan Part No.	T4001	T4001	T4002	T4002	T4002			
	Bowen No.	56409	56409	56858	56858	56858			
	No Req'd	2	2	2	2	2			
Retainer Ring Screw	Logan Part No.	T5001	T5001	T5002	T5002	T5002			
	Bowen No.	56813	56813	56859	56859	56859			
	No Req'd	4	4	4	4	4			
Retainer Ring Screw Spacer	Logan Part No.	T6000	T6000	T6000	T6000	T6000			
	Bowen No.	56979	56979	56979	56979	56979			
	No Req'd	4	4	4	4	4			

Innovex reserves the right to change or discontinue designs without prior notice.